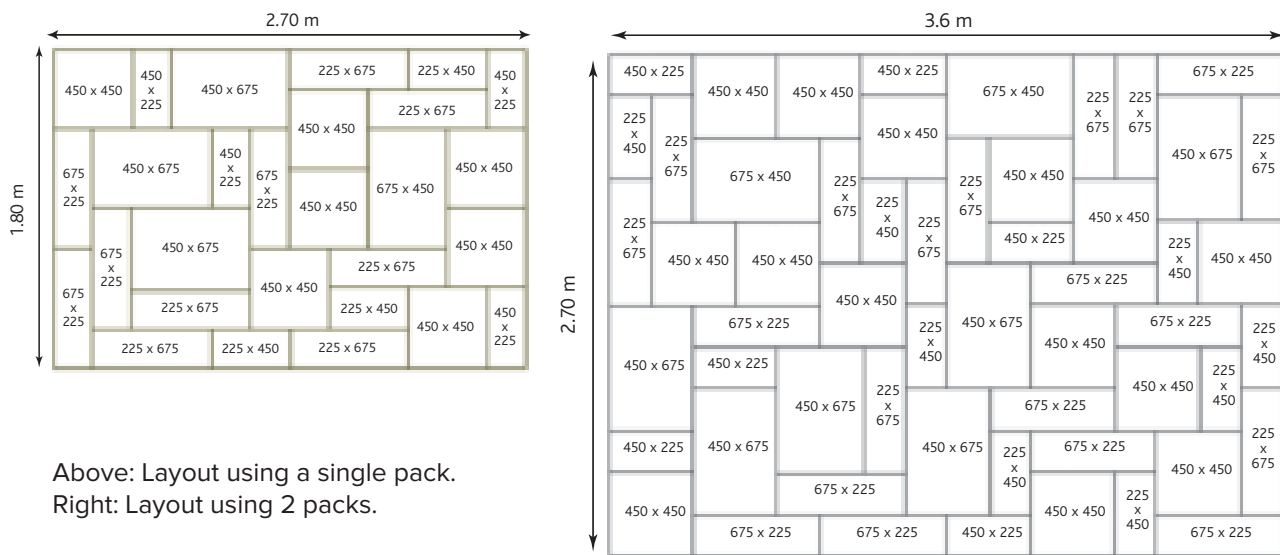


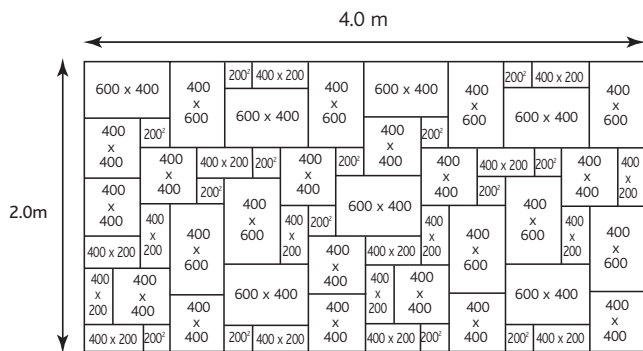
Random laying is made easier with Bradstone patio packs which eliminate the need for cutting the paving stones. Each patio pack is available on a single pallet. For larger areas, simply buy more packs.

Old Cathedral Paving pages 4



Above: Layout using a single pack.
 Right: Layout using 2 packs.

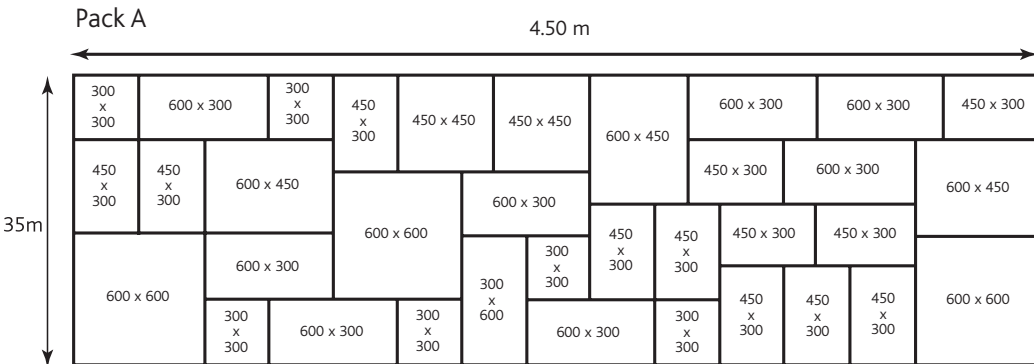
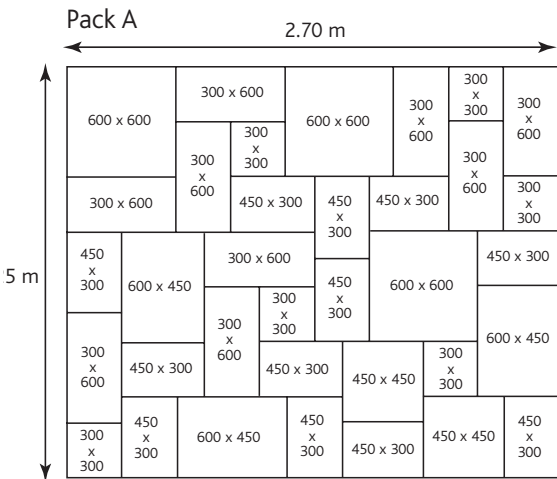
Travertine page 5



Travertine paving units are sold individually however we have attached a random layout for your use.

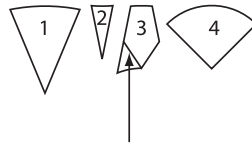
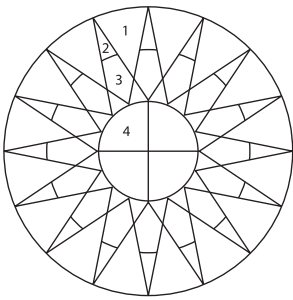
Old Town Pack A & Wetherdale Paving

Page 7 and Page 10



To increase the size of the patio simply increase the number of packs used.

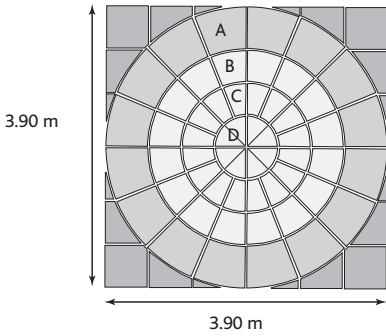
Sun Circle Page 13



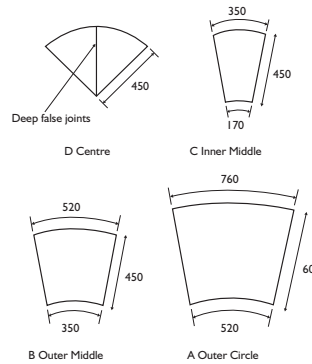
Sun Circle = approx. 2800 mm diameter
Thickness 40 mm

Old Town Paving Circle Page 14

Large Old Town Circle with corner accessories



A: Outer ring
B, C and D: Small circle
The corners are squaring kit for large circle.



Squaring Kit Page 14

